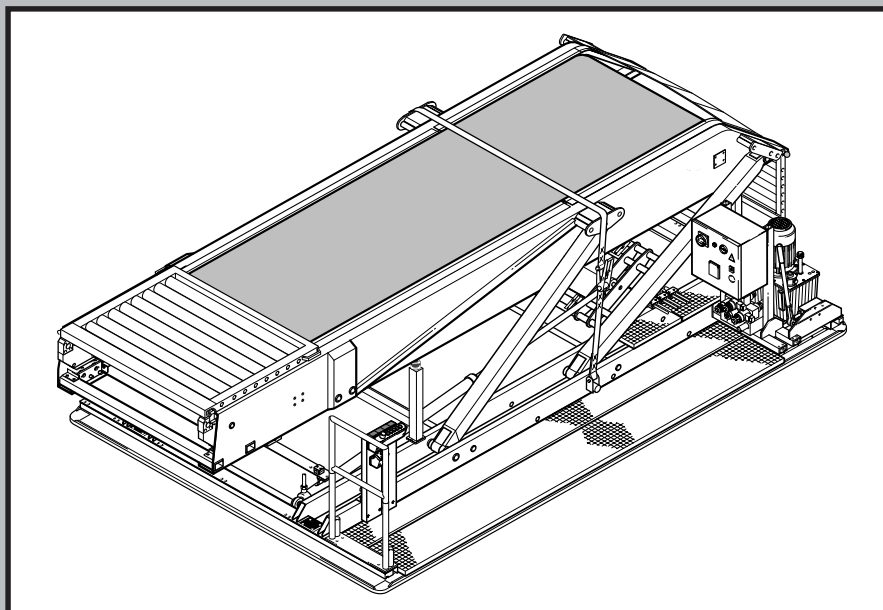


F R A N K E GmbH Fahrzeugbau - Stahlbau - Flughafengeräte

Ohlendorfer Straße 4 * D- 21220 Seevetal * Tel. 04185/7000-0 * FAX 04185/7000-10

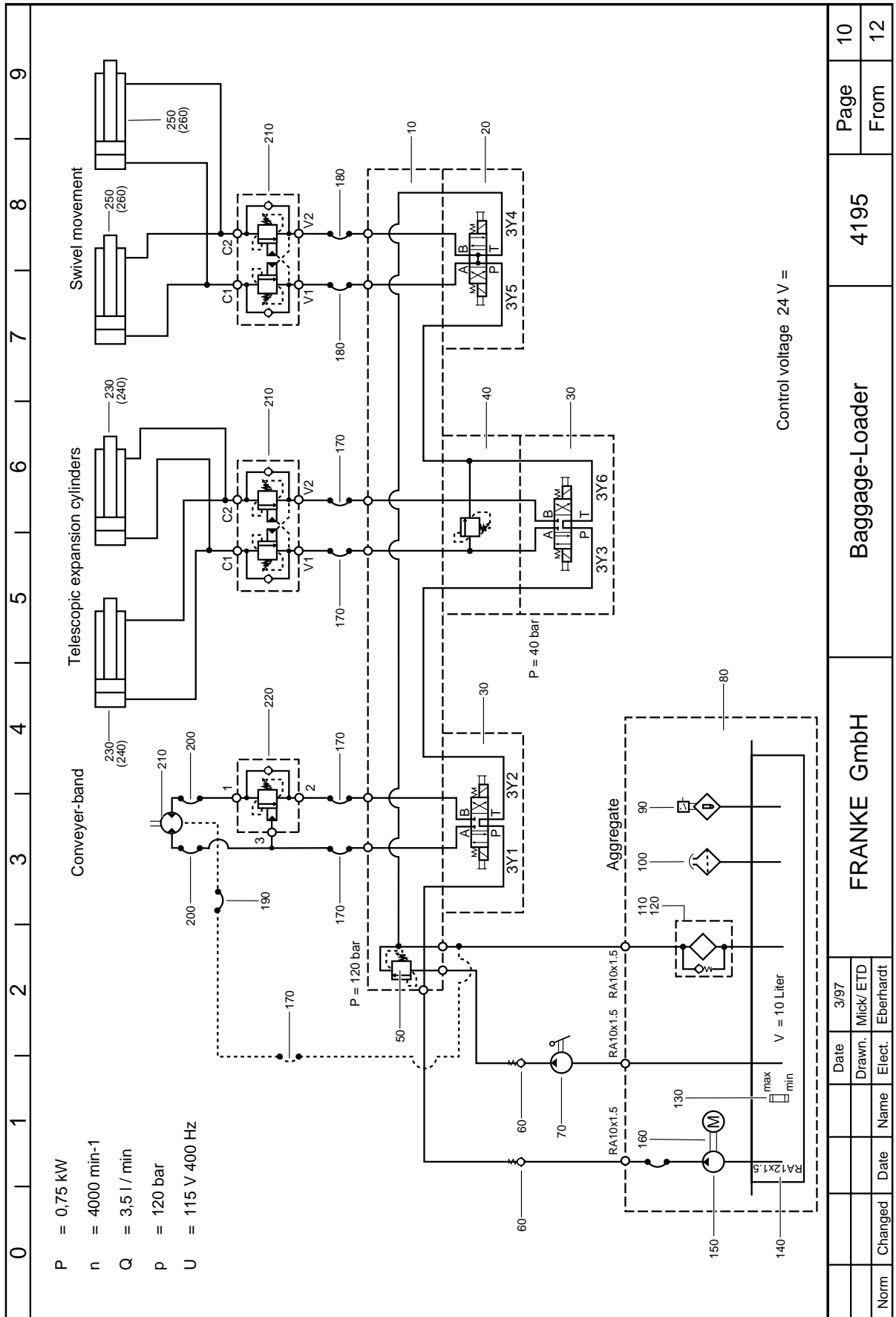
Product support
Technical Publications Department



**HYDRAULIC PLAN
WITH
ILLUSTRATED PARTS LIST
BAGGAGE LOADER**

PN ZB 419 590

Hydraulic plan 41 95 01



Norm	Changed	Date	Name	Date	3/97	FRANKE GmbH		Baggage-Loader		4195		Page	10
												From	12

FIG-ITEM	PART NUMBER	NOMENCLATURE	USAGE FROM TO	UNIT PER ASSY
10	HD 30	hand pump		1
20	hose line	non-return valve		8
30	2 SN DN 10x500 DKOL/ DKOL	hose line		2